

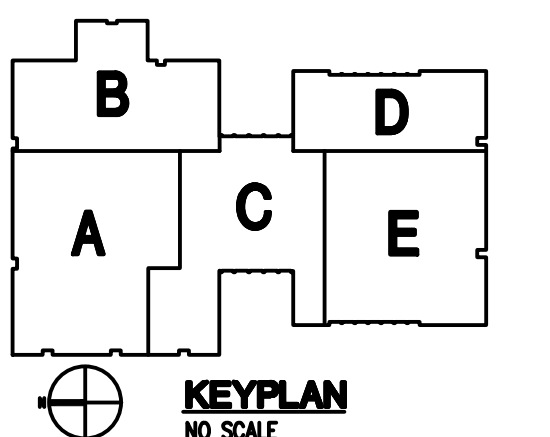
REGISTRATION SEAL

CONSULTANT

PROJECT TITLE
**West Maple
Elementary French
School Remodeling**

Birmingham Public Schools
Bloomfield Hills, Michigan

DRAWING TITLE
Partial One Line Diagram



ISSUE DATES

12.04.17	BIDS
10.20.17	CD OWNER REVIEW
09.12.17	PROGRESS
05.12.17	DD ESTIMATE
02.24.17	DD ESTIMATE

DATE ISSUED FOR:

DRAWN	CC
CHECKED	JB
APPROVED	JB

PROJECT NO.

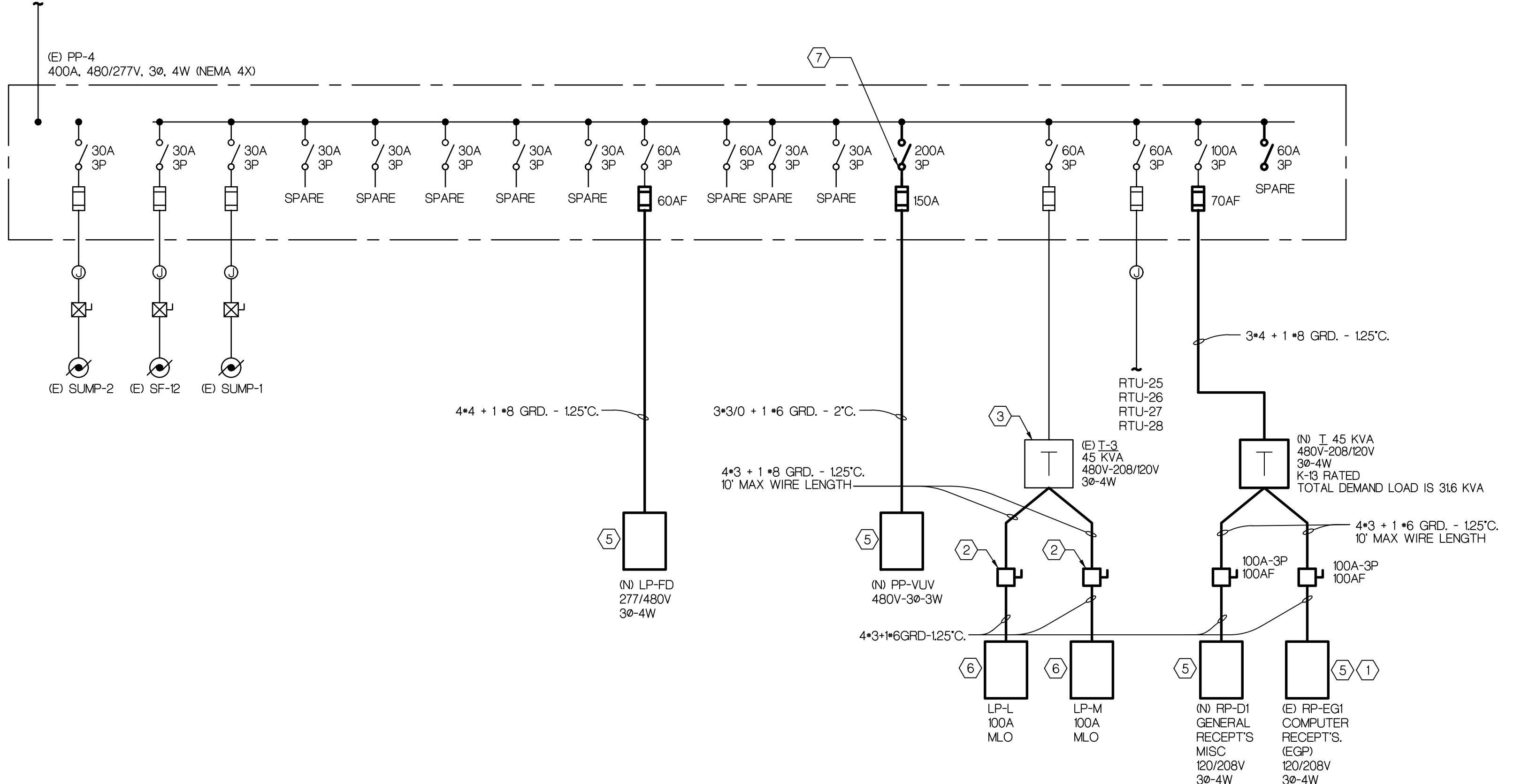
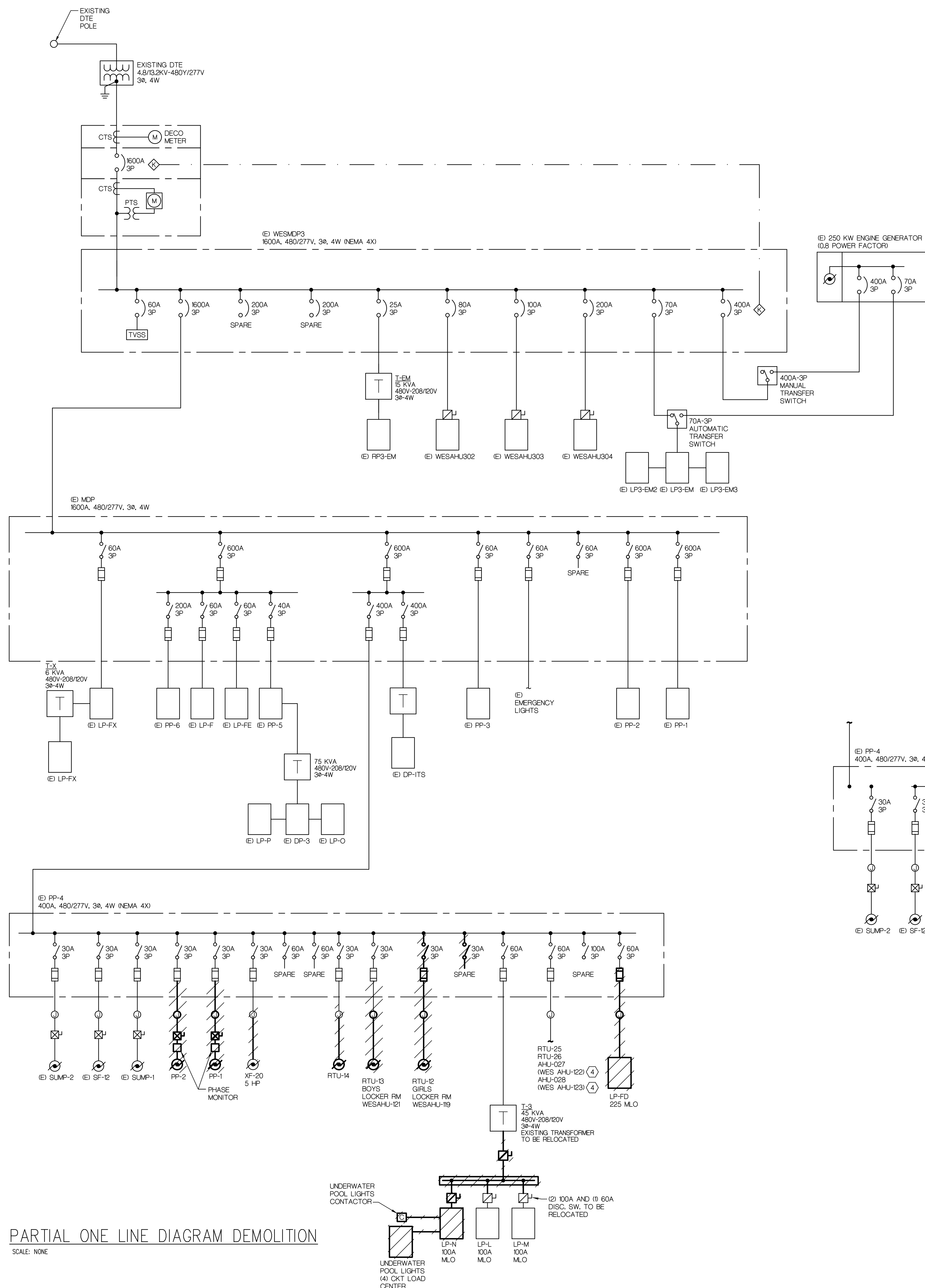
15104A

DRAWING NO.

E5.1

- KEY NOTES:**
- (1) ELECTRONIC GRADE PANEL BOARD, REFER TO SPECIFICATIONS.
 - (2) RELOCATED DISCONNECT FUSE 100A.
 - (3) RELOCATED TRANSFORMER.
 - (4) DISCONNECT AND REMOVE ELECTRIC SERVICE COMPLETE.
 - (5) SEE PANEL SCHEDULE SHEET E5.2.
 - (6) PANEL 'L' AND 'M' LOADS ARE REDUCED AS A RESULT OF DEMOLITION.
 - (7) MODIFY EXISTING DISTRIBUTION PANEL AS REQUIRED AND INSTALL NEW 200A-3P FUSED SWITCH.

- GENERAL NOTES:**
1. REFER TO SPECIFICATIONS FOR COMPLETE REQUIREMENTS.
 2. INCLUDE ALL DISTRIBUTION EQUIPMENT REVISIONS REQUIRED FOR MODIFICATIONS, ADDITIONS OR DELETIONS INDICATED, SPECIFIED HEREIN OR REQUIRED. INCLUDE ALL DEVICE, COVER, BUSSING, RUN BACKS, CABLING, ETC. REVISIONS AS REQUIRED. CONSULT THE MANUFACTURER AND INCLUDE ALL REVISIONS AS RECOMMENDED BY THE MANUFACTURER.
 3. SUBMIT COMPLETE SHOP DRAWINGS FOR ALL DISTRIBUTION EQUIPMENT REVISIONS.
 4. EXISTING FEEDER SIZES WHERE INDICATED ARE TAKEN FROM RECORD DOCUMENTS. FIELD VERIFY EXISTING CONDITIONS.
 5. ALL NEW PANELS TO BE DOOR IN DOOR CONSTRUCTION.



PARTIAL ONE LINE DIAGRAM NEW

SCALE: NONE

PARTIAL ONE LINE DIAGRAM DEMOLITION

SCALE: NONE